



# FP12YPT-B

## Portrait touring yoke for FlexPoint FP12

### Features

- Portrait orientation touring yoke
- Stand mount when used with pole mount adaptor ASF20045 (available separately)
- Truss mount when used with a third-party half-coupler
- Quick deployment with no tools required.
- Central hole: 12.5 mm (0.49 in); two inner holes: 12.5 mm (0.49 in); two outer holes: 8.2 mm (0.32 in)
- Available in black

### Applications

- Touring flown FlexPoint FP12
- Touring pole mounted FlexPoint FP12

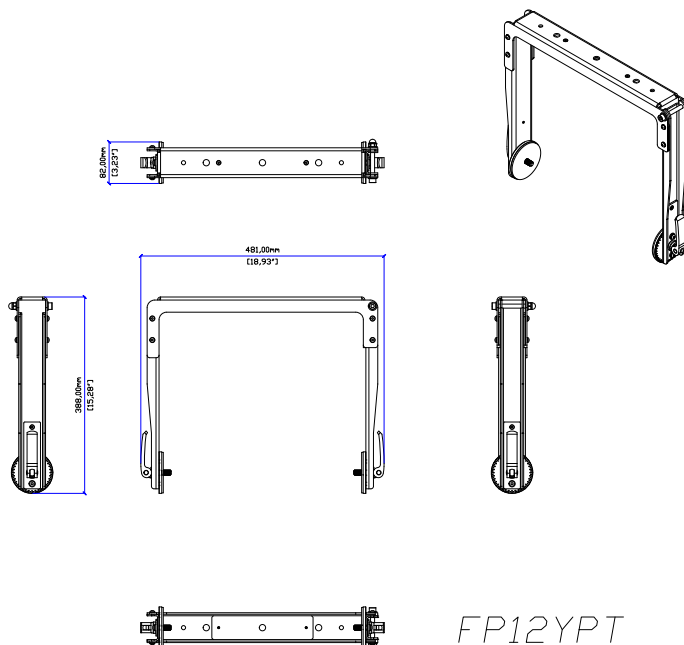
### Contents

- 1 x FP12YPT-B yoke

### Technical Specifications

Weight: 3.85 kg 8.49 lb

Material: Weatherised polyester powder coated steel



FP12YPT